

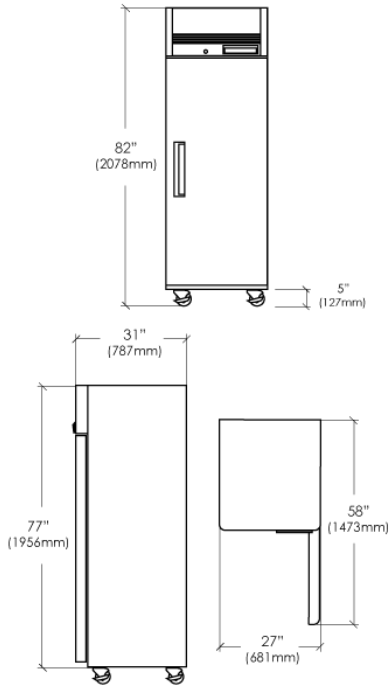




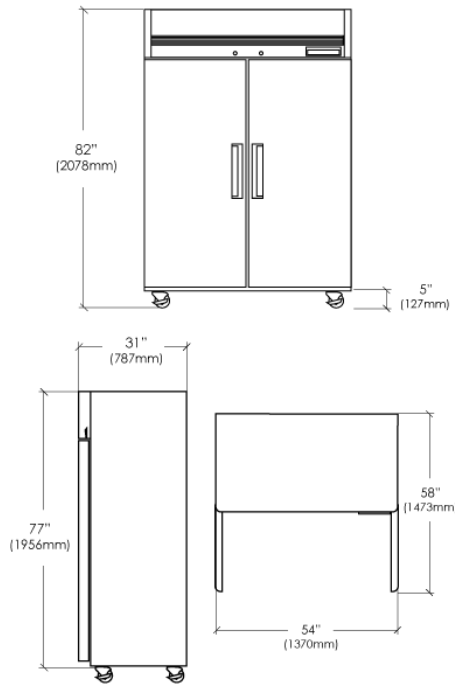
## SCIENTIFIC SOLID DOOR REFRIGERATORS

Forced air cooling system delivers an even temperature distribution throughout the unit. Internal temperatures are held within  $\pm 3^{\circ}\text{C}$  and the factory settings enable the unit to hold  $4^{\circ}\text{C}$  nominal.

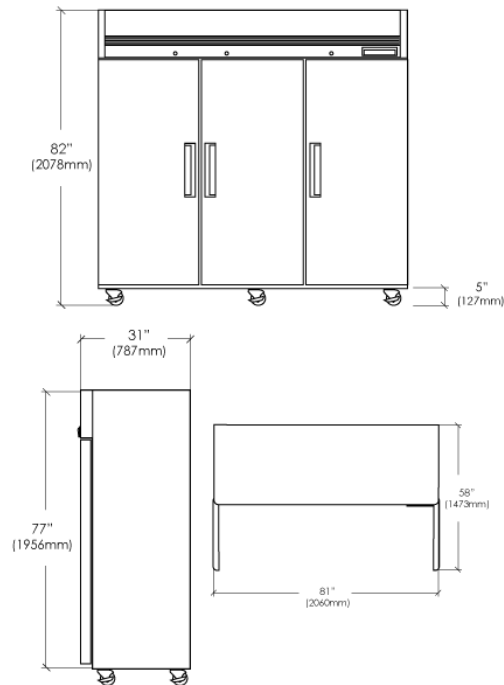
LSRP-R-23



LSRP-R-49



LSRP-R-72



The overall height of the unit may be brought under 80" with an optional shorter caster set of 4 heavy duty casters (2 come with brakes).

	LSRP-R-23	LSRP-R-49	LSRP-R-72
In: External Dimensions W x D x H	27 x 31 x 82	54 x 31 x 82	81 x 31 x 82
mm: External Dimensions W x D x H	681 x 787 x 2078	1370 x 787 x 2078	2060 x 787 x 2078
Nominal Compartment Volume	23 Cu Ft / 651 L	49 Cu Ft / 1387 L	72 Cu Ft / 2039 L
Actual Usable Storage Capacity	19.5 Cu Ft / 550 L	43.6 Cu Ft / 1236 L	65.5 Cu Ft / 855 L
Hinged Doors	1	2	3
Shelves	3	6	9
Unit Weight	264 lb / 120 kg	388 lb / 190 kg	567 lb / 257 kg
Electrical Service	115V/60Hz/1Ph	115V/60Hz/1Ph	115V/60Hz/1Ph
Wattage / Suggested Circuit Protection	575 W / 15 Amps	725 W / 15 Amps	1275 W / 15 Amps
Average Amp Draw	0.6	1.0	1.65
Provided 6' NEMA Cord Set	5-15	5-15	5-15
Factory Temperature Setting	4°C(39°F)	4°C(39°F)	4°C(39°F)

Due to periodic changes in designs, methods, procedures, policies and regulations, the specifications contained in this sheet are subject to change without notice. While we exercise good faith efforts to provide information that is accurate, we are not responsible for errors or omissions in information provided or conclusions reached as a result of using the specifications. By using the information provided, the user assumes all risks in connection with such use.